

MKR – Mounting Bracket

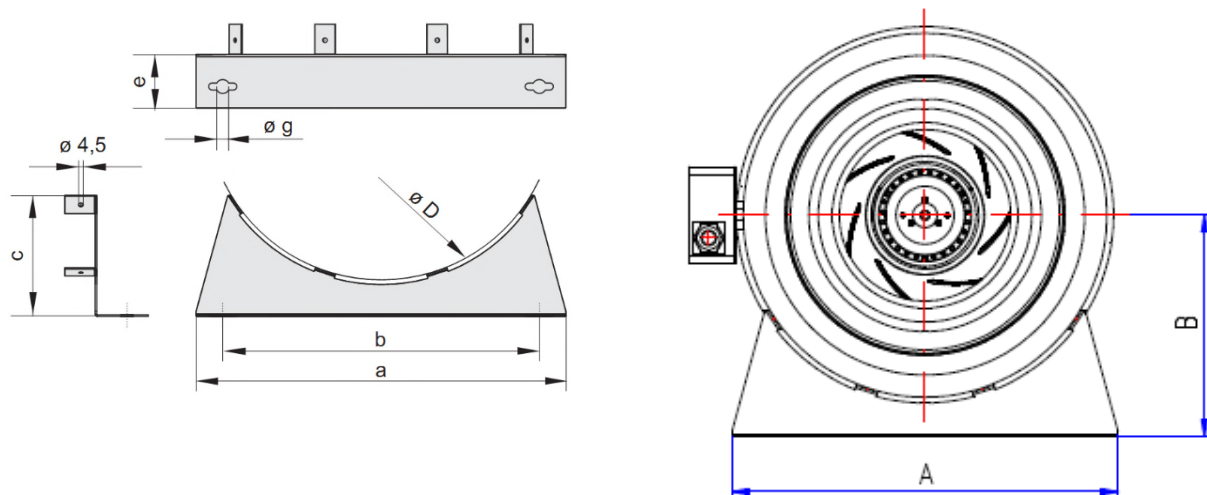
Accessories for Tube Fan (R)

For mounting of a tube fan type R. Made of galvanized steel. Drillings aligned to those of the fan. Trapezoidal shape.



Technical Data:

Dimensions:



Size	Type	Art.-No.	a / A	b	B	c	Ø D	e	Ø g	Weight [kg]
100 - 125	MKR	I41-10024	260	230	146	230	5,0	30	9	0,20
150 - 250	MKR	I41-15024	350	298	200	298	6,5	50	9	0,43
315	MKR	I41-31524	400	348	230	348	6,5	70	13	0,60
355	MKR	I41-35524	480	430	276	430	6,5	100	13	0,95

Scope of Delivery:

- Mounting bracket (MKR)
- Contains screws and screw nuts