



4RRE25 250x56R

Z19-02 p

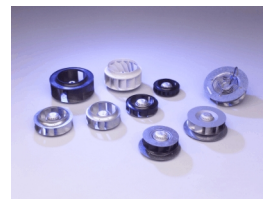


DATA SHEET

release. e - Revision 09-2017

Replace L03-17 p

| Voltage | Frequency | Input Power | Input Current | Capacitor | Airflow | Rotation speed | Acoustic level | Direction rotation | Admissible Temperature |
|---------|-----------|-------------|---------------|-----------|---------|----------------|----------------|--------------------|------------------------|
| V | Hz | W | A | µF | m³/h | RPM | dBA | ↻ | Min/Max |
| 230 | 50 | 47 | 0,22 | 1,5 | 865 | 1415 | 56 | R | -20°C / +70°C |
| 230 | 60 | 55 | 0,24 | 1,5 | 1010 | 1665 | 61 | R | -20°C / +70°C |
| 230 | 50 | | | | 509 CFM | | | | -4°F / 158°F |
| 230 | 60 | | | | 594 CFM | | | | -4°F / 158°F |



dBa : free blowing

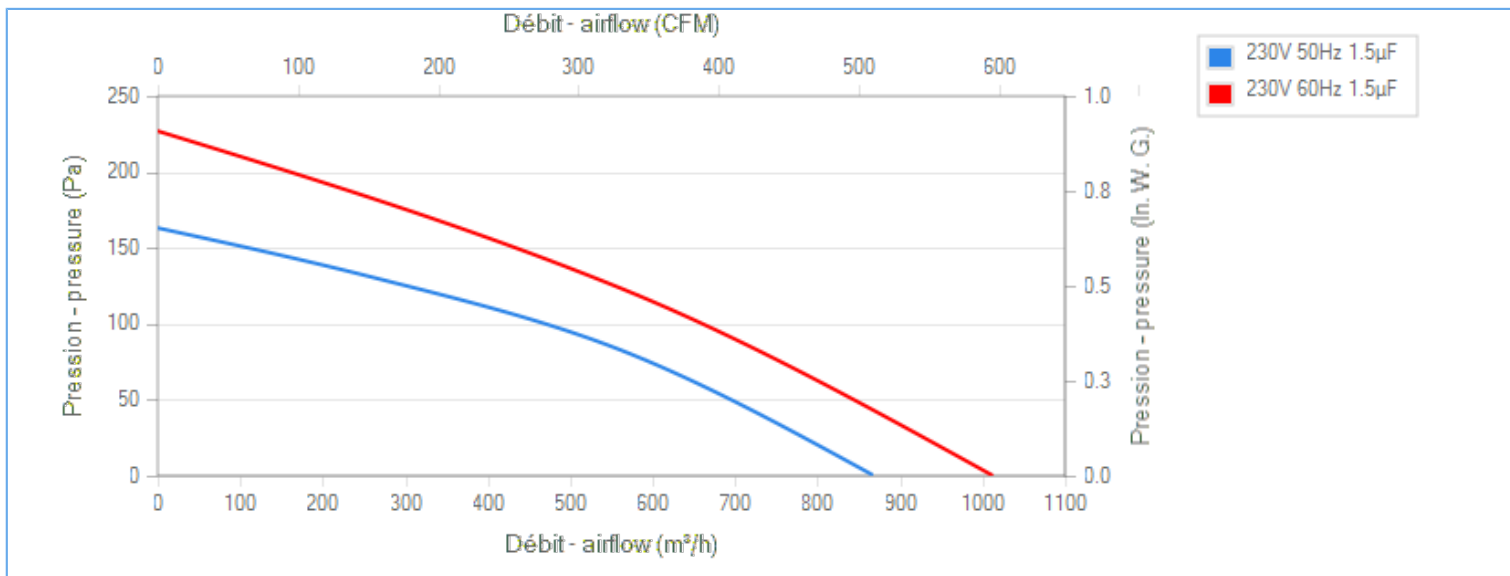
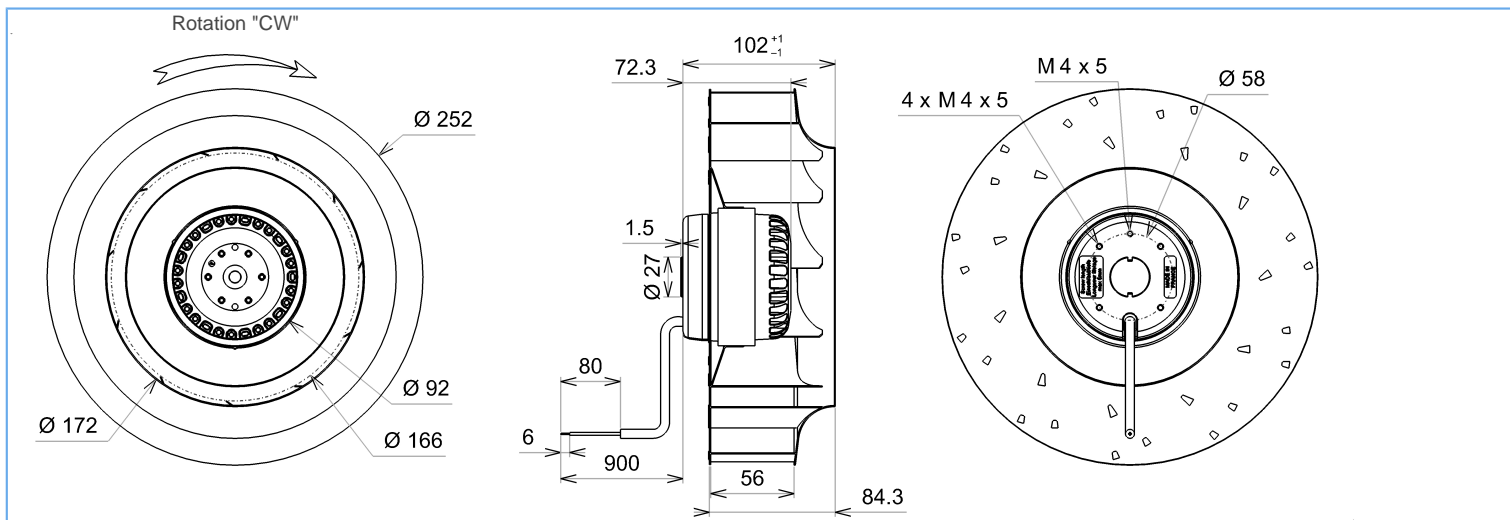
NA : not applicable

ErP 2013

NA

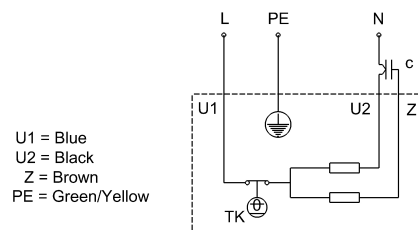
ErP 2015

NA



Description

- .Weight : 2,6 Kg
- .Ball bearing
- .Class F, thermally protected
- .IP44 protection depending on installation and position as per EN60034-5
- .G2.5 balancing
- .Rotor : black paint
- .Galvanized steel impeller



Non contractual document. All specifications are subject to change without prior notice. Picture for information only.



4RRE25 250x56R

Z19-02 p



DATA SHEET

release. e - Revision 09-2017

Replace L03-17 p

Data in accordance to ErP directive

| | | |
|----------------|--------|----------------------------------|
| Voltage | 230 | V |
| Frequency | 50 | Hz |
| Power | 0,051 | kW ⁽¹⁾ |
| Airflow | 530 | m ³ /h ⁽¹⁾ |
| Pressure | 89 | Pa ⁽¹⁾ |
| Rotation speed | 1354,5 | RPM ⁽¹⁾ |

(1) at optimal efficiency point

ErP directive (EU 2009/125/EC) not applicable :
Power at optimum energy efficiency point

Accessories

- 19005
- 19005
- 21360
- 16114

Measurement setup

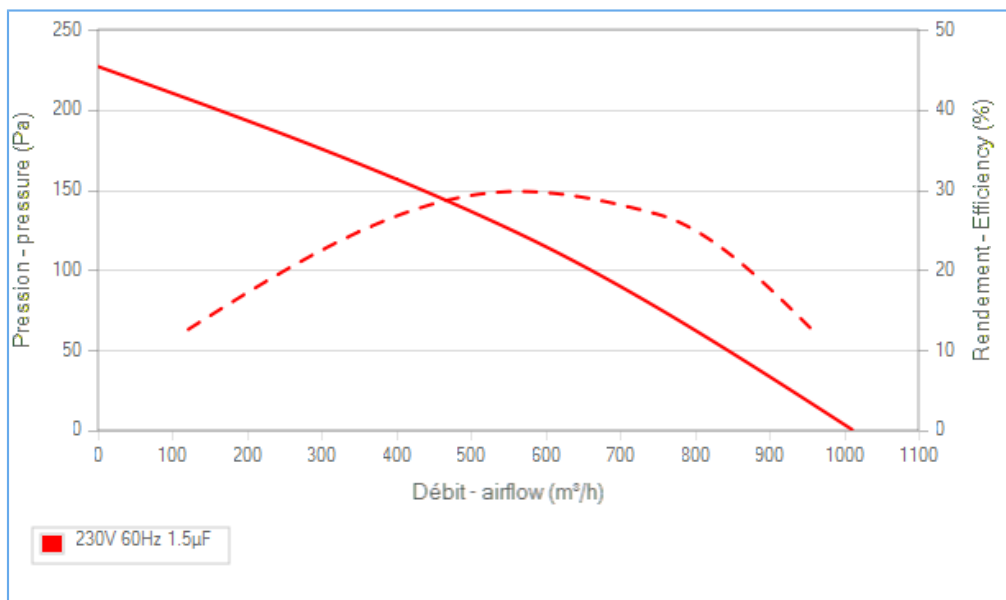
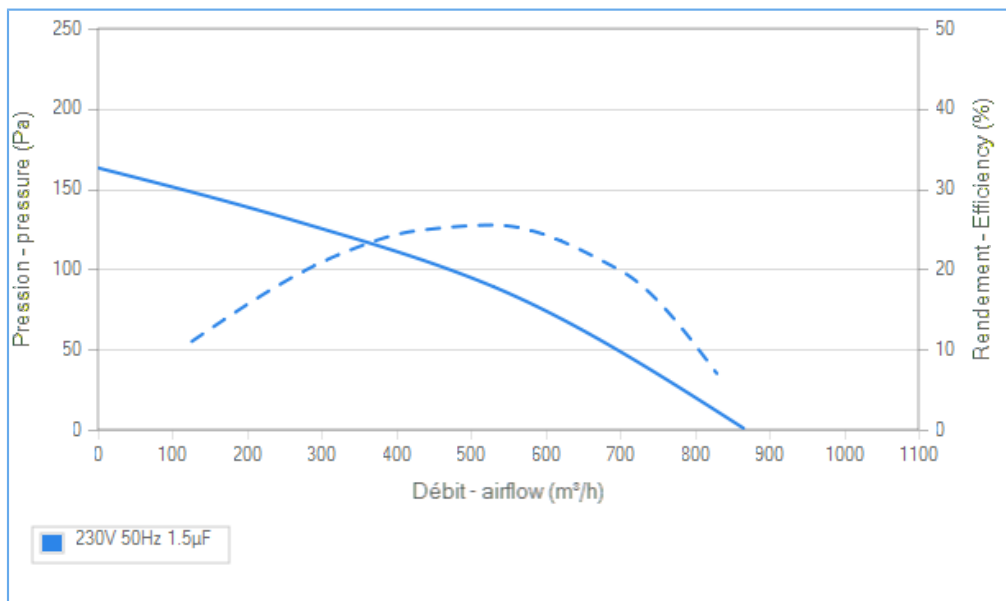
16114 M07-457 PAVILLON Dia Int.164 Ext.255 Galva

Documents

- Manuel d'utilisation
www.ecofit.com/site/normes
- Operating and recycling manual
www.ecofit.com/anglais/normes



A041865
4RS925CN



Non contractual document. All specifications are subject to change without prior notice. Picture for information only.