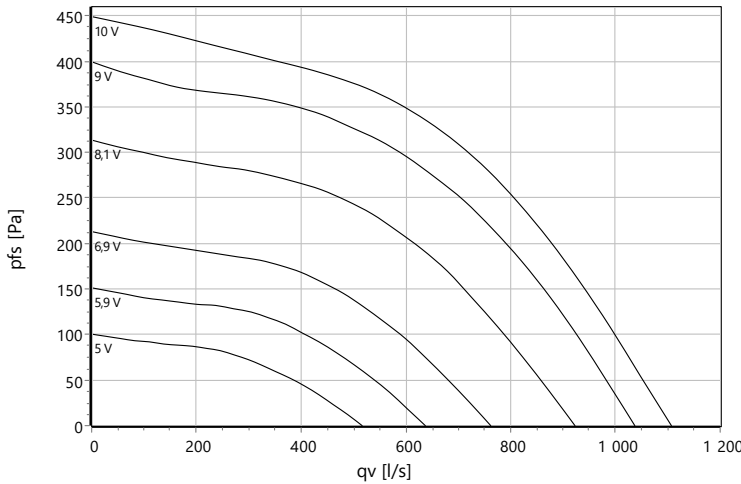


Type: **DVE 400-G.4FF**

Part no.: A05-40056



Curve:



ErP-Data:

(EU) Nr. 1253/2014	(Lot6)
q _v	652,5 l/s
p _{fs}	328 Pa
η _{fs}	49,4 %
P _{ed}	0,43 kW
n	1380 r/min
N	55
v	5,10 ft/s
η _{fs} Lot11	57,1 %

p: 1,2 kg/m³; Data @ 230 V

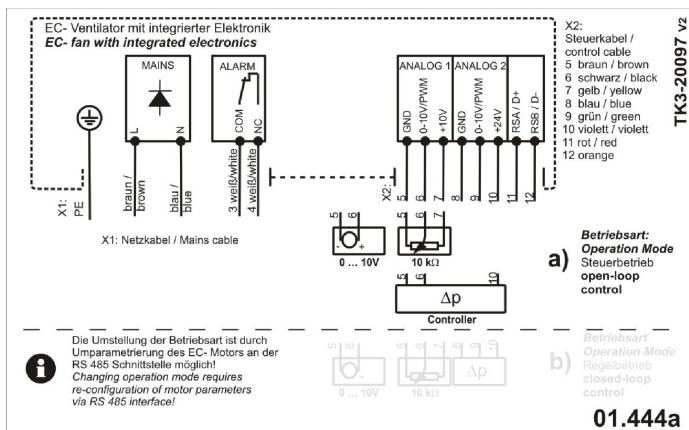
Nominal Data:

U [V]	f [Hz]	Data @ [V]	P _{ed} [kW]	I _N [A]	n _N [r/min]	t _R [°C]	k ₁₀ [m ² /h]	Eff.-Rating	IP	m [kg]
1~200-277	50/60	230	0,45	2	1380	-25 .. +45	-	IE4	IP 54	27

Sound Data:

Frequency	Σ	125Hz	250Hz	500Hz	1kHz	2kHz	4kHz	8kHz	Distances	1 m	4 m
LwA(A,in) [dB(A)]	-4	-21	-14	-9	-10	-10	-18	-22	LpA(A,in) [dB(A)]	-11	-21
LwA(A,out) [dB(A)]		-12	-6	-6	-6	-8	-17	-21	LpA(A,out) [dB(A)]	-7	-17

Wiring Diagram:



drawing:

